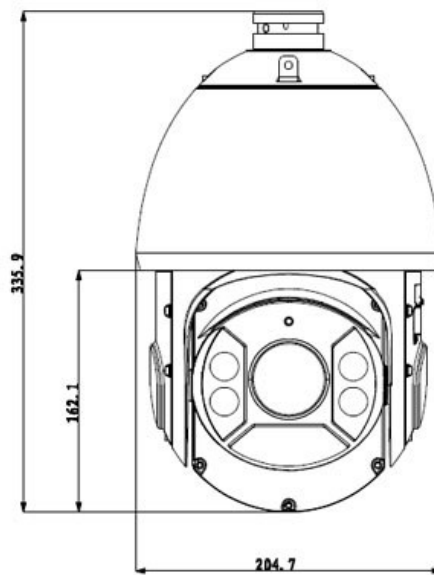


**CP- UNP-2020TL10****2 MP Full HD 20x IP IR PTZ Camera****Main Features**

- 1/2.8" CMOS Image sensor
- Powerful 20x Optical and 16x Digital zoom
- Support Triple-streams encoding
- Max. 25/30fps@1080P and 50/60fps@720P Resolution
- DWDR, Day/Night(ICR), Ultra DNR, Auto iris, Auto focus
- Up to 300 Presets, 8 Tour, 5 Pattern, 5 Auto scan
- Max 240°/s pan speed, 360° endless pan rotation
- IR Range of 100 Mtr.
- Built-in 2/1 alarm in/out, IP66
- Mobile Software: iCMOB, gCMOB, wCMOB
- CMS Software: KVMS Pro, vOptimus Pro



# CP- UNP-2020TL10

## 2 MP Full HD 20x IP IR PTZ Camera

### Feature

Image Sensor  
 Effective Pixels  
 S/N Ratio  
 Minimum Illumination  
 Focal Length  
 Focus Control  
 White Balance  
 Close Focus Distance  
 Angle of View  
 Electronic Shutter  
 AGC control  
 Back Light Compensation  
 Optical Zoom  
 Digital Zoom  
 Pan Travel  
 Tilt Travel  
 Presets  
 Preset Speed  
 Privacy Masking  
 Special Features  
 Power up Action  
 Idle Motion  
 Time Task  
 Day/Night: IR Cut Filter  
 Video Compression  
 Video Streaming  
 Audio Compression  
 Audio Streaming  
 IVS  
 Protocols

### Specification

1/2.8" CMOS  
 1944(H) x 1092(V), 2Megapixels  
 More than 50dB  
 Color: 0.05Lux@F1.4; B/W: 0.005Lux@F1.4  
 4.7mm ~ 94.0mm  
 Auto / Manual  
 Auto, ATW, Indoor, Outdoor, Manual  
 100mm~ 1000mm  
 H: 54.1° ~ 3.2°  
 1/1 ~ 1/30,000s  
 Auto / Manual  
 BLC / HLC / DWDR  
 20x  
 16x  
 0° ~ 360° endless, Pan Speed: 0.1° ~ 160°/sec  
 -15° ~ 90°, auto flip 180°, Tilt Speed: 0.1° ~ 200°/sec  
 300  
 Pan: 400° /s; Tilt: 300° /s  
 Up to 24 areas  
 IR Range of 100 Mtr., Up to 300 Presets, 8 Tour, 5 Pattern, 5 Auto scan  
 Auto restore to previous PTZ and lens status after power failure  
 Activate Preset/ Pan/ Scan/ Tour/ Pattern if there is no command in the specified period  
 Auto activation of Preset/Pan/Scan/Tour/Pattern by preset-time  
 Auto(ICR) / Color / B/W  
 H.264H/H.264B/H.264/ MJPEG  
 Main Stream: 1080P/ D1 (1 ~ 25/30fps), 720P(1~50/60fps), Sub Stream 1: D1/CIF(1 ~ 25/30fps), Sub Stream 2: 720P/ D1/ CIF (1 ~ 25/30fps)  
 G.711a / G.711u(32kbps)/ PCM(128kbps)  
 1/1 channel In/Out  
 Tripwire, Intrusion, Abandoned Object Detection, Missing Object Detection  
 IPv4/IPv6, HTTP, HTTPS, SSL, TCP/IP, UDP, UPnP, ICMP, IGMP, SNMP, RTSP, RTP, SMTP, NTP, DHCP, DNS, PPPoE, DDNS, FTP, IP Filter, QoS, Bonjour, 802.1x, ONVIF PSIA CGI

# CP- UNP-2020TL10

## 2 MP Full HD 20x IP IR PTZ Camera

### Feature

Alarm  
Max Remote Users  
Memory Slot  
Operating Temperature  
Smart Phone  
Weather Proof Standard  
Dimension  
Weight  
Power Source  
Power Consumption

### Specification

2/1 channel In/Out  
20 users  
Micro SD, Max 128GB  
-40°C ~ 60°C / Less than 90% RH  
iPhone, iPad, Android, Windows Phone  
IP66  
Φ204.7(mm) x 359.9(mm)  
5 kg  
AC 24V/3A  
10.5W, 26W (IR on, Heater on)